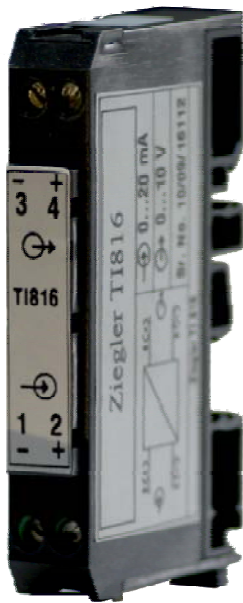



Operating Instructions Passive DC Signal Isolator Ziegler TI 816



The signal isolator fulfils the protection requirements according to EMC guideline (89/336/EWG).

1. Read first and then ...



The proper and safe operation of the device assumes that the operating instructions are **read carefully** and the safety warning given in the various Sections

6. Mounting

7. Electrical connections

are observed.

The device should only be handled by appropriately trained personnel who are familiar with it and authorised to work in electrical installations.

2. Scope of supply

Signal isolator (Fig.1)



Fig. 1

3. Brief description

The signal isolator Ziegler TI 816 serves to electrically insulate an analogue DC signal in the range 0...20 mA which depending on version is then converted to a current/voltage signal (0...20/4...20 mA or 0...10V) It does not require a separate power supply.

4. Versions

There are two versions of the DC signal isolator Ziegler TI816 available.

| Description | Output signal A | Order code |
|--|-----------------|------------|
| Passive DC signal isolator input signal E:0...20 mA, with 1 isolation and transmission channel, in carrying rail housing N12 | 0...20/4...20mA | 816-5110 |
| | 0...10 V | 816-5111 |

5. Technical data

Input signal E \rightarrow

| | |
|---------------------------|----------------------------------|
| DC current: | 0...20/4...20mA |
| Max. permissible current: | 50 mA |
| Voltage limiter: | 18 V \pm 5% (with zener diode) |
| Voltage drop: | < 2 V (for 500 Ω burden) |
| Overshoot: | < 20 μ A (typical 5 μ A) |

Output signal A \rightarrow

| | |
|----------------------|---|
| DC current or : | 0...20/4...20mA or 0...10V |
| DC voltage: | |
| Limit: | Approx. 30mA ¹ Approx. 15V ² |
| Max. burden: | 500 Ω ¹ |
| Internal resistance: | 500 Ω ² |
| Residual ripple: | < 20 mV ss |
| Time constant: | Approx. 5 ms |

Accuracy data

| | |
|---------------|---|
| Error limits: | < \pm 0,1% ¹ (reference value 20 mA, linearity error included) < \pm 0,2% ² (reference value 10 V, linearity error included) |
|---------------|---|

Ambient conditions

| | |
|--------------------------------|---|
| Climatic rating: | Climate class 3Z acc. to VDI/VDE 3540 |
| Operating temperature: | -20 to + 65 °C |
| Storage temperature: | -40 to + 85 °C |
| Annual mean relative humidity: | \leq 75% Standard climatic rating |
| Seismic test: | 5 g, < 200 Hz, 2 h in each of 3 directions |
| Shock test: | 50 g , 10 shocks in each of 3 directions |

¹With current signal

²With voltage signal

6. Mounting

The Ziegler TI816 isolator is suitable for mounting on two different types of standard rails:

- onto the G-type rail EN 50 035-G32
- or
- onto the top-hat rail EN 50 022-35 x 7.5



Simply clip the signal isolator onto the carrying rail acc. to Fig. 3 or Fig. 4.

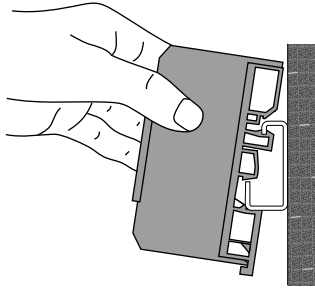


Fig. 3. Mounting onto the G-type rail.

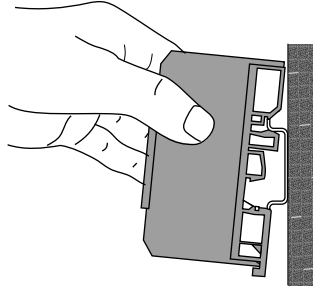


Fig. 4. Mounting onto the top-hat rail.

7. Electrical connections

Easily accessible screw terminals are provided at the front of the signal isolator (Fig. 6) which accept wire gauges up to 2.5 mm² (standard wire) or 4 mm² (non-standard wire).

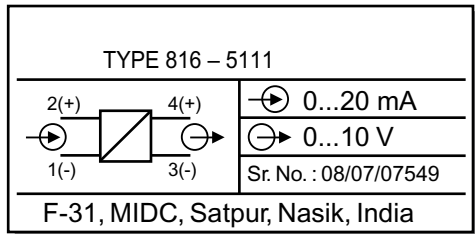


Fig. 5. Example of a nameplate

Connect the input and output leads E and A according to Fig. 6.



Fig. 6. Terminal allocation.
E = Input signal, A = Output signal.

8. Commissioning and maintenance

The device is in operation as soon as the input signal E is connected.

The signal isolator requires no maintenance.

9. Releasing the signal isolator

When dismantling the Ziegler TI 816

... from **G rails** proceed according to Fig. 7. Firstly press the signal isolator upwards (manipulation 1) and tip it upwards at the same time (manipulation 2).

... from **top-hat rails** proceed according to Fig. 8. Tip the signal isolator upwards.

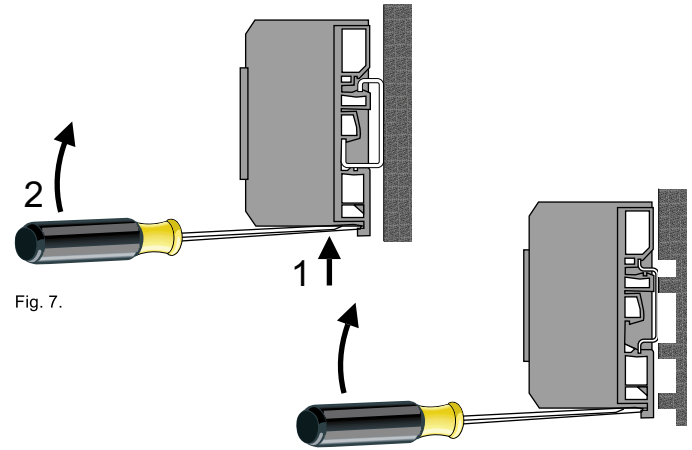


Fig. 7.

Fig. 8.

10. Dimensional drawings

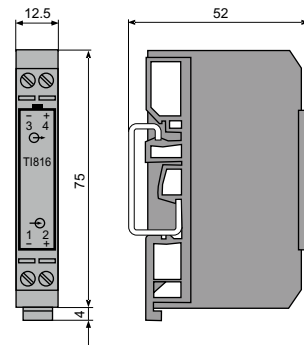


Fig.9.Ziegler TI816on G-type rail
EN 50 035 - G 32.

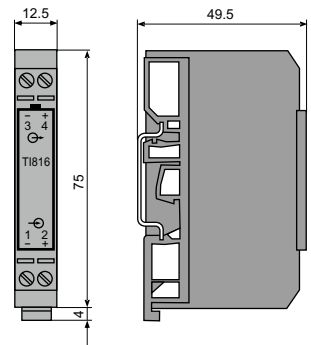


Fig.10.Ziegler TI816 on top-hat rail
EN 50 022 - 35 x 7.5 m.m.

ZIEGLER INSTRUMENTS

Schnepfenreuther Weg 6, D-90425 Nürnberg, Germany.

TEL. | (+49)(911) 38 492 45 | E-MAIL | info@ziegler-instruments.com
FAX. | (+49)(911) 32 26 212 | WEBSITE | www.ziegler-instruments.com

made
in
Germany

Ziegler

Redefine Innovative Metering